



sea water strainers

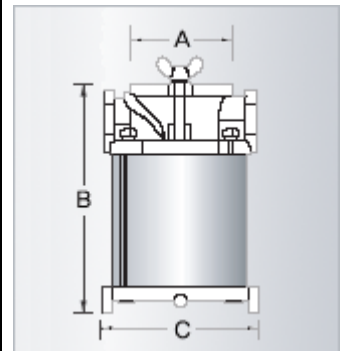
- Robust bronze casting**
- Robust stainless steel filter**
- Easy installation**
- Simple maintenance and cleaning**
- Protects your pump and engine**
- Transparent cylinder**
- 'O' rings for better sealing**



DINTRA TRANSMISSIES V.O.F.

Keizerswoert 30 - 3881 LE - Putten - NL
 Tel.: +31(0)341-353712 - Fax +31(0)341-360046
 www.dintra.com - info@dintra.com

Models	ST2010	ST4010	ST5010	ST6010	ST7010
Port Size	1"(PIPE)	1 1/2"(PIPE)	2"(PIPE)	2 1/2"(PIPE)	3"(PIPE)
Thread type	BSP or NPT	BSP or NPT	BSP or NPT	BSP or NPT	BSB or NPT
Top Casting	Bronze	Bronze	Bronze	Bronze	Bronze
Bottom Casting	Bronze	Bronze	Bronze	Bronze	Bronze
Basket	Stainless steel	Stainless steel	Stainless steel	Stainless steel	Stainless steel
Seal	O-ring	O-ring	O-ring	O-ring	O-ring
Size in mm. (A x B x C)	150 x 220 x 180	210 x 335 x 235	210 x 435 x 235	260 x 445 x 275	260 x 445 x 275
Cylinder diam. X Height in mm.	130 x 100	180 x 190	180 x 190	210 x 250	210 x 250
Weight	5.7 kgs	10 kgs	10.8 kgs	17.8 kgs	16.4 kgs
Price 2017	€ 323	€ 424	€ 477	€ 663	€ 663



Simple maintenance: see below

<p>① Unscrew wingnuts by hands.</p>	<p>② Release the cover lugs and open the cover.</p>	<p>③ Pull out the stainless filter.</p>	<p>④ Clean the filter and the cylinder or replace them if necessary.</p>

All mentioned prices are excl. VAT, ex works Putten, The Netherlands